



Part 1 - GENERAL

Scope

The framing shall be Metro "M" Series sliding door system as manufactured by Metro Glass. Furnish all materials, labour, and services for the complete fabrication, assembly and installation of aluminum sliding doors including all necessary hardware and accessories and/or preparation as required based on the contract or the purchase agreement.

Work Not Included: Structural support for framing, wood liner, interior or exterior closures or trim.
(See Specifiers list of other exclusions.)

Related Work Specified Elsewhere: See Specifier List

Design & Performance

Doors to fully comply with applicable standard specifications as typically referenced to the following requirement criteria: Air and water tightness, wind and other load resistance.

Maintenance and Warranty

Provide maintenance and cleaning data in accordance with instructions under General Conditions. Metro Glass supplies a two year warranty which shall begin from the day the product is shipped or from substantial completion of the installation of materials and on the workmanship provided under this section.

Part 2 - PRODUCTS

Materials

All materials to meet design and material specifications as applicable. Extruded aluminum shall be 6063 T5 alloy and temper. Any defects impairing strength, durability or appearance are not acceptable. Fasteners shall be of sufficient size and strength and made of corrosion-resistant and compatible materials. Glazing gaskets shall be extruded black santoprene designed and sized to perform their intended function.

Fabrication

Frame assembly to provide accurately fit tight hairline joints only. Extruded profiles to be of sizes and profiles indicated in the contract or the purchase agreement. Corner joints shall be secured with concealed brackets that are anchored with bolts and then fully welded.

Finish

Exposed surfaces shall be finished as selected by Specifier.

Standard Clear Anodizing: AA-M12C22A31

Standard Bronze Anodizing: AA-M12C22A34

Standard Black Anodizing: AA-M12C22A44

Duracron Acrylic Enamel: AAMA 603.8

Duramar Fluoropolymer paint: AAMA 605.2

Powdercoated finishes available.

Various Bronze Anodizing colours and paint qualities are available upon request.

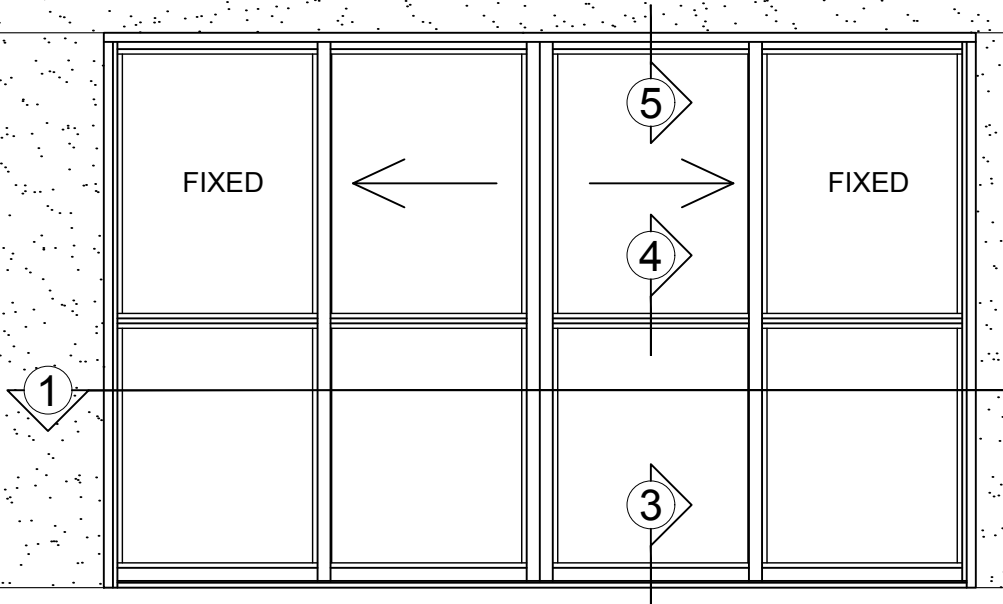
Installation

Framing to be installed plumb, level and square and glazed by an experienced crew in prepared openings in accordance to the manufacturers instructions and approved shop drawings.

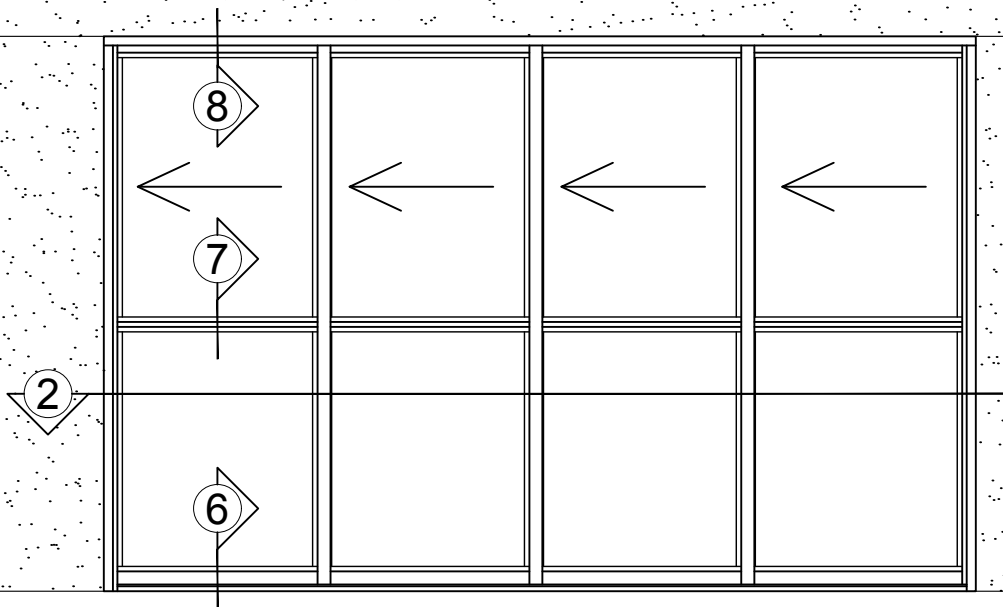


METRO GLASS
PRODUCTS LTD.

M SERIES SLIDER SLIDING DOOR DETAILS



← →
BI-PARTING SLIDING DOOR SYSTEM

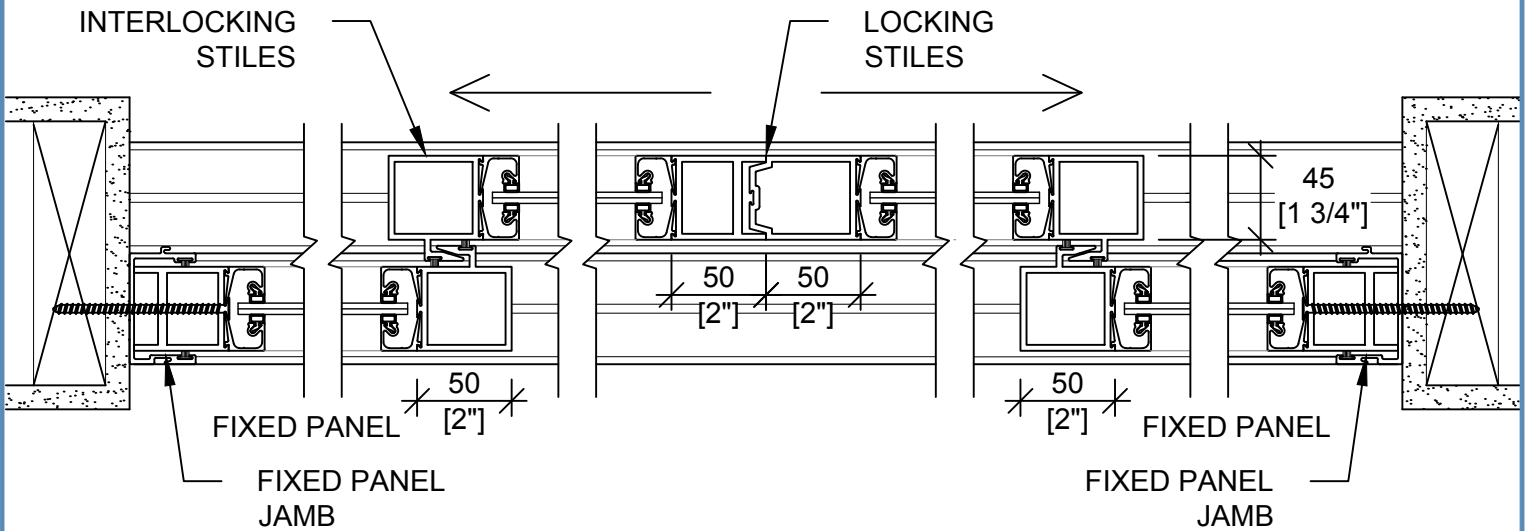


MULTI TRACK POCKETED SLIDING DOOR SYSTEM

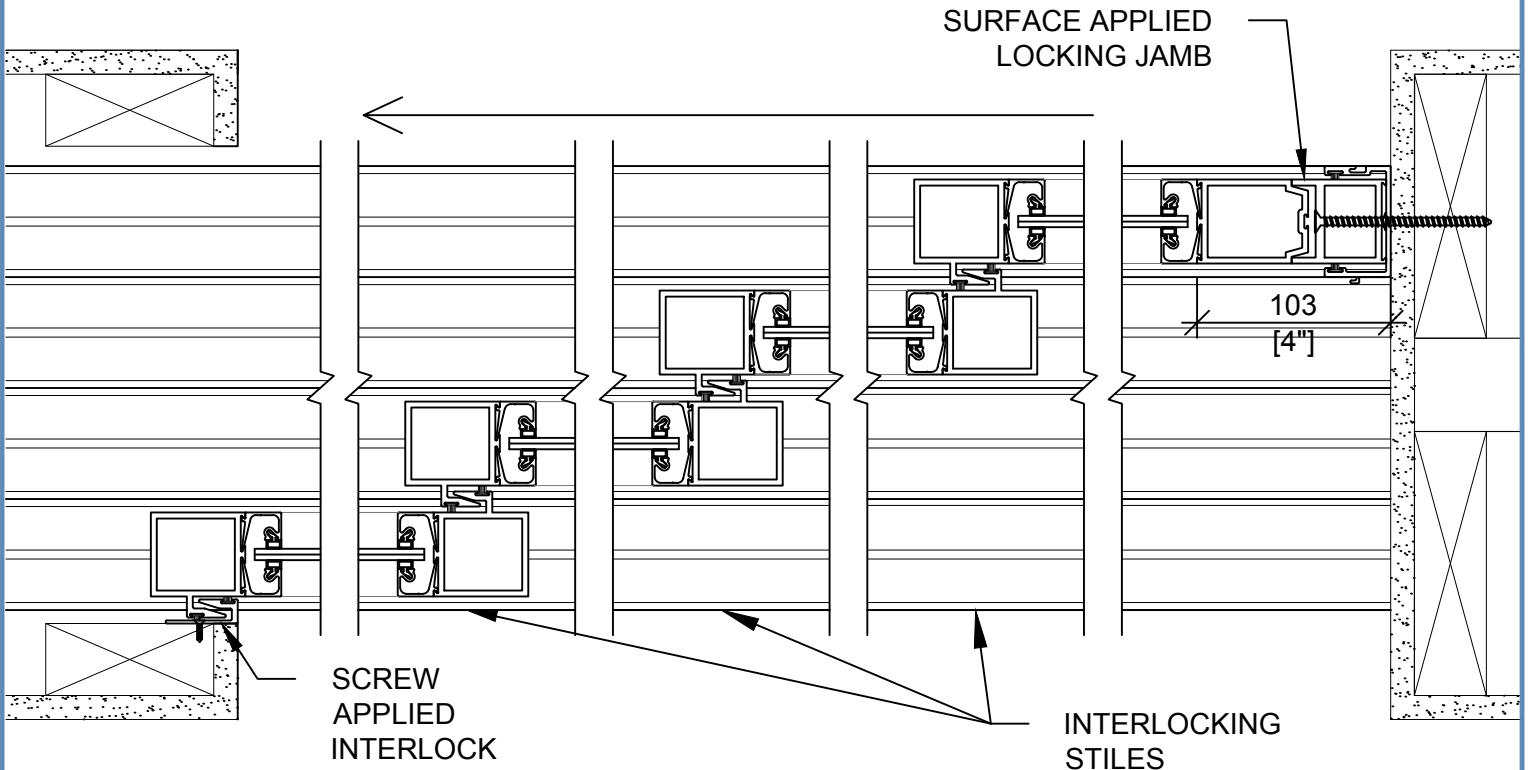
45 Years of Manufacturing Innovative Aluminum Doors, Frames, Curtain Walls, Windows and Vents



M SERIES SLIDER SLIDING DOOR DETAILS



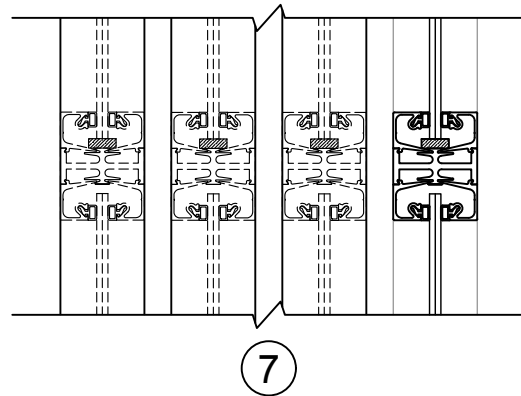
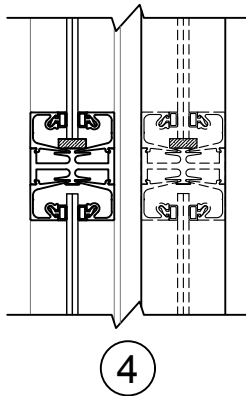
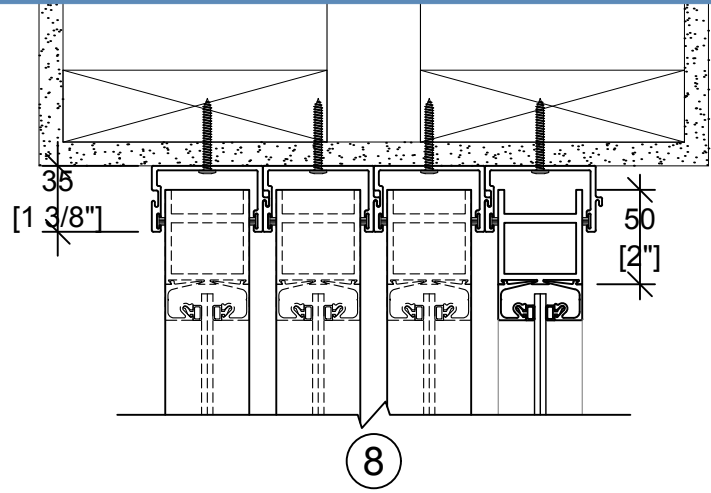
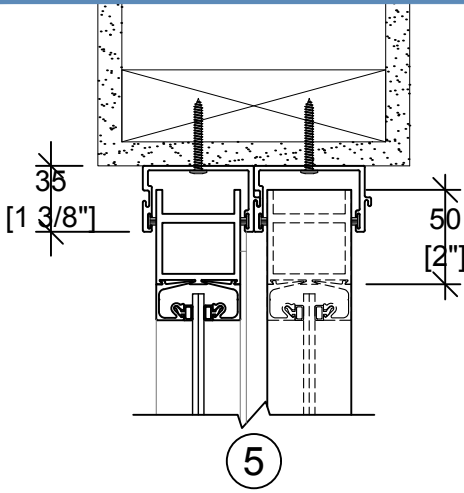
① BI-PARTING SLIDING DOOR SYSTEM
(ALSO AVAILABLE WITH SEALED UNIT GLAZING)



② MULTI TRACK POCKETED SLIDING DOOR SYSTEM
(ALSO AVAILABLE WITH SEALED UNIT GLAZING)

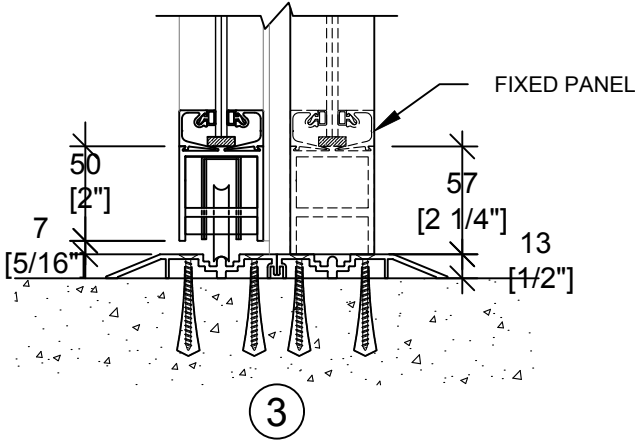


M SERIES SLIDER SLIDING DOOR DETAILS

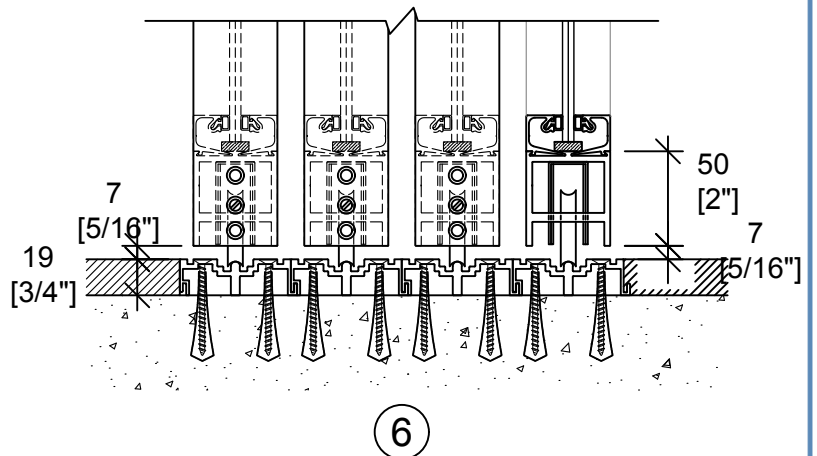


OPTIONAL MIDRAIL
(VARIOUS SIZES AVAILABLE,
VERTICAL OR HORIZONTAL)

OPTIONAL MIDRAIL
(VARIOUS SIZES AVAILABLE,
VERTICAL OR HORIZONTAL)



SURFACE MOUNTED TRACK WITH
FIXED PANEL DETAIL
(1/2" TRACK C/W RAMP SHOWN.
3/4" TRACK ALSO AVAILABLE)

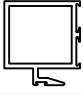

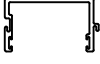
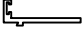

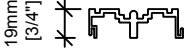

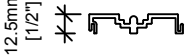




ALTERNATE RECESSED TRACK DETAIL
(AVAILABLE IN 1/2" OR 3/4" DEEP
BOTTOM TRACK)



METRO GLASS
PRODUCTS LTD.

M SERIES SLIDER SLIDING DOOR DETAILS

PART	NO.	DESCRIPTION	STOCK LENGTH IN METRES	CLEAR ANODIZED	BRONZE ANODIZED	BLACK ANODIZED
	M-2	LOCKING STILE	7.3	✓	✓	✓
	M-3	SLIDER BULLNOSE STILE	7.3	✓	✓	✓
	M-4	TOP SLIDER TRACK	7.3	✓	✓	✓
	M-5	EGRESS DOOR ADAPTOR	7.3	✓	✓	✓
	M-6	SCREW APPLIED INTERLOCK	7.3	✓	✓	✓
	M-7	3/4" BOTTOM SLIDER TRACK	7.3	MILL FINISH		
	M-8	2" DOOR BASE & HEAD	7.3	✓	✓	✓
	M-9	1/2" BOTTOM SLIDER TRACK	7.3	MILL FINISH		
	M-10	1/2" BOTTOM SLIDER TRACK C/W RAMP	7.3	MILL FINISH		
	MS1853S	HOOKBOLT DEADLOCK 31/32", 1-1/8", 1-1/2" BACKSET				

45 Years of Manufacturing Innovative Aluminum Doors, Frames, Curtain Walls, Windows and Vents